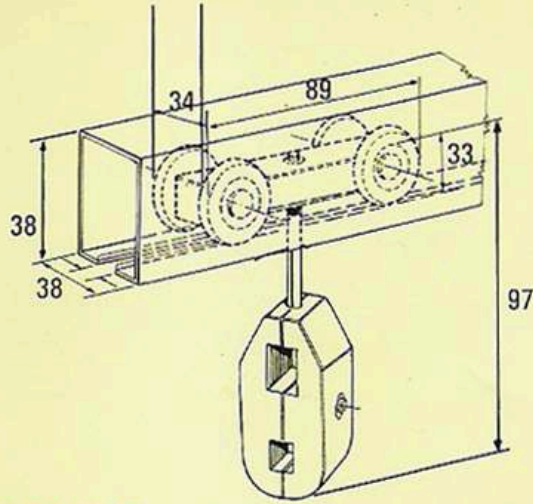


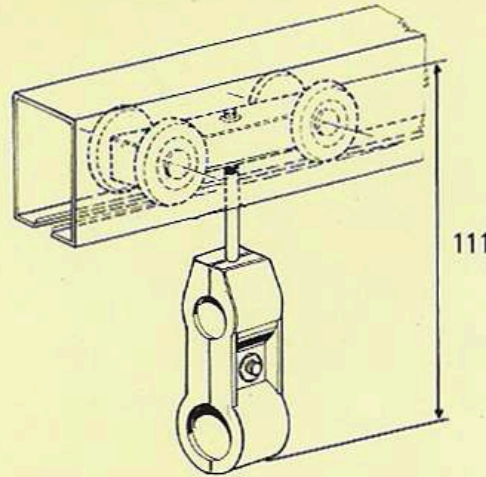
KUMBHOJKARTM PLASTIC MOULDERS

Cable Carrier Assembly Suitable for Enclosed Track Sq. Inner Size 34x34 mm.
MOST SUITABLE FOR SHORT DISTANCE AND ALSO USEFUL WITH SPRING BALANCE OR AUTO ASSEMBLY WORK STATION



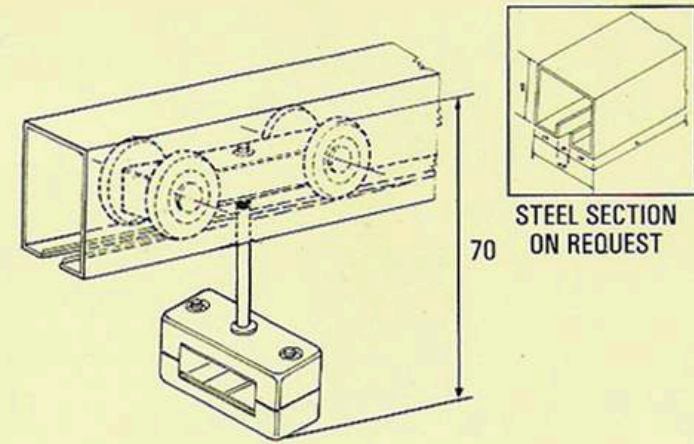
ROUND TYPE
in NYLON
in POLYPROPYLENE

CCET/RN-31
CCET/RP-32



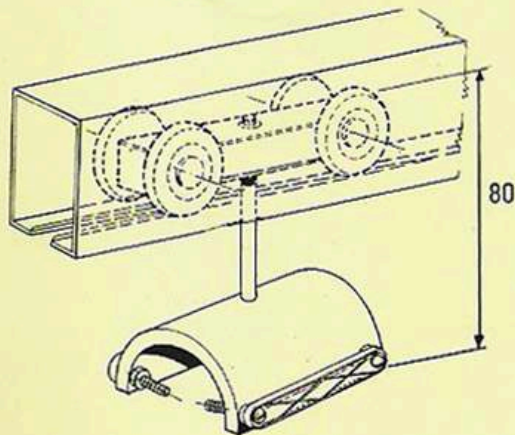
ROUND BIG TYPE
in NYLON
in POLYPROPYLENE

CCET/RBN-33
CCET/RBP-34



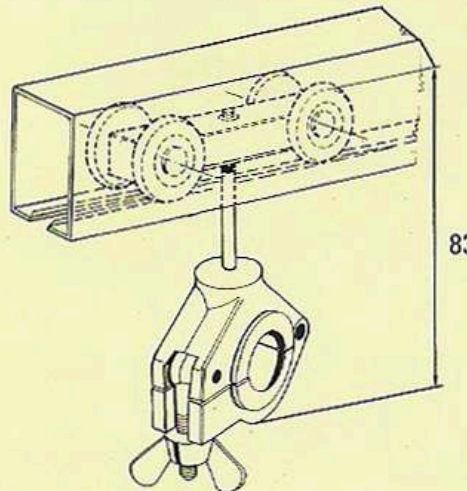
FLAT TYPE
in NYLON
in POLYPROPYLENE

CCET/FN-35
CCET/FP-36



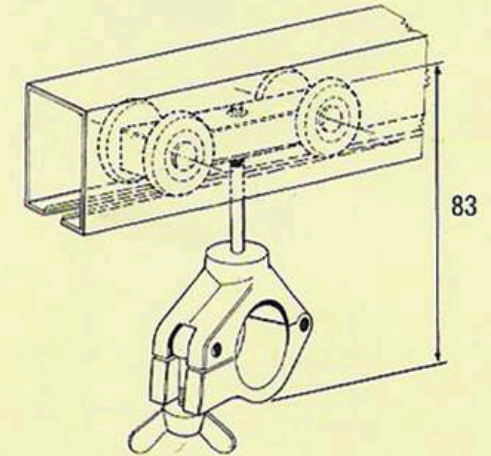
TYRE TYPE
in NYLON
in POLYPROPYLENE

CCET/TN-37
CCET/TP-38



JUMBO TYPE WITH BUSH - 25 MM Ø
in POLYPROPYLENE

CCET/JP-39



JUMBO TYPE WITHOUT BUSH - 38 MM Ø
in POLYPROPYLENE

CCET/JP-40